

- **PIEZO INKJET TECHNOLOGY**
- **RESOLUTION: 180 dpi**
- **NUMBER OF DOTS: 508**
- **PRINT SPEED: UP TO 90 m/min**
- **PRINT HEIGHT: 71.5 mm**
- **DROP SIZE: 12-72 pl**
- **GRAYSCALE PRINT**
- **WITH INK RECOVERY**



G-508 is a high resolution printer designed to print barcodes, texts, logos, dates and any other type of information on **porous** and **semi-porous** surfaces with oil-based inks and on **non-absorbent** surfaces with UV and solvent inks.

With a superior number of interfaces it can be easily integrated in any production line and connected to many devices (scales, scanners, LAN, BCD).

With the ink system (**SINK**), purge operations are carried out without waste of ink. The ink is recovered and reused thus **reducing ink consumption**. Savings compared to standard systems can be up to 50%.

Thanks to the **grayscale print** you can realize prints with very high quality shades.

The simple, intuitive **touch Screen** control console can manage up to two **print heads** at the same time.

User friendly interface.

The colour 12" display and the touch screen together with the **IconTouch** interface makes it easy to setup and operate.

Coding and marking of products and packaging.

The software allows to code products with a wide range of variable fields.

High resolution printing.

With a vertical print resolution of 180 dpi, **G-508** realizes very high quality prints.

Wide packaging customization.

High resolution digital printing creates any kind of logo, any kind of barcode and text, reproduces high definition images and photos, customizes and makes pleasant any packing material.

Print Sample



Strawberries



Date: 10/05/2019

Exp. Date: 14/05/2019

Batch: L18154

Weight: 3 KG

Product of Italy



GENCODE
INDUSTRIAL MARKING AND CODING SYSTEMS

Via Enzo Rabitti, 1/A
42123 Reggio Emilia
ITALIA

Phone number: +39-0522 520108
E-mail: info@gencode.it
www.gencode.it

APPLICATIONS

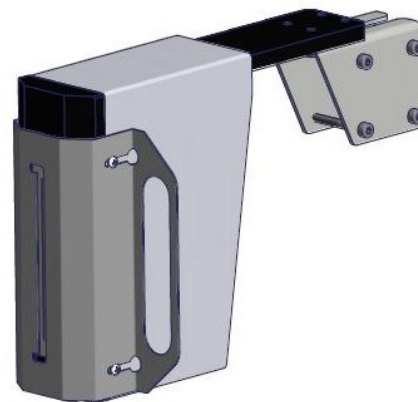
- High-resolution printing of text, graphic, barcode.
- Wide customization of secondary packaging.
- UV and solvent inks to print on non-porous surfaces, MOF (Mineral Oil Free) ink for porous substrates.
- Ideal where high definition texts, barcodes, images are required to highlight and identify the packaging.
- Ideal on **high speed conveyor lines**.

TECHNICAL SPECIFICATIONS

- Supply voltage: 90-264 Vac 50-60 Hz.
- Operating temperature: 0-50 °C
- Print technology: piezo ink jet.
- Vertical print resolution: 180 dpi.
- Print height: 71.5 mm.
- Print length: 5000 columns equal to about 700 mm @ 180 dpi, 1400 mm at 90 dpi.
- Ink type: MOF (Mineral Oil Free), UV, solvent.
- Max printing speed: up to 90 m/min @180 dpi.
- Operator's interface: 12" display with touch screen and **IconTouch**.
- Windows XP embedded or Windows 7 embedded operating systems.
- Barcodes supported: EAN 13, EAN 128 (A, B, C), CODE 39, UPC-A, CODE 128 (A, B, C), ITF (Interleaved 2/5), ITF 14 and **2D barcodes** (PDF417, MaxiCode, Data Matrix, QR Code).
- 200 hypertexts for each message file.
- Any font installed in the operating system and accepted by the software can be printed.
- Integrated software to manage complex images.
- Standard interfaces: Ethernet, USB, PS/2, VGA, RS232, RS485.
- Other interfaces: BCD (Binary Coded Decimal), two-signal encoder, scales, scanners.
- Spring loaded adapter to maintain a constant distance from the printing material.
- Ink system (**SINK**) to control automatically the ink supply to the print head and the purging operations.

DIMENSIONS

- **G-508 printhead:** width: 52 mm, length: 200 mm, height: 150 mm
- **SINK (with one liter bottle):** width: 90 mm, length: 230 mm, height: 340 mm
- **Control console:** width: 340 mm, length: 270 mm, height: 160 mm

**ACCESSORIES AND CONSUMABLES**

- Brackets, floor stand, console stand.
- Encoder, photocell.
- Inks and solvents, filters and lint-free wipes.
- UV LED lamp.