

# HIGH RESOLUTION PRINTER WITH SOLVENT INK

# G-128

- **PIEZO INKJET TECHNOLOGY**
- **RESOLUTION: 180 dpi**
- **NUMBER OF DOTS: 128**
- **PRINT SPEED: UP TO 35 m/min**
- **PRINT HEIGHT: 17.4 mm**
- **DROP SIZE: 80pl**
- **BINARY PRINT**
- **FOR PIGMENTED INKS**
- **WITH AUTO-FLUSH**
- **WITH INK RECOVERY**

**G-128** is a high resolution printer designed to print barcodes, texts, logos, dates and any other type of information on **porous** and on **non-absorbent** surfaces.

With a superior number of interfaces it can be easily integrated in any production line and connected to many devices (scales, scanners, LAN, BCD).

It can be used with highly pigmented inks (as **white ink**) by keeping pigments mixed through a recirculation system.

The integrated **auto-flush system** removes the ink from the printhead at the end of the day or before long shutdowns.

With the ink system (**SINK**), purge operations are carried out without waste of ink. The ink and solvent are recovered and reused thus **reducing ink consumption**. Savings

compared to standard systems can be up to 50%.

Thanks to the *dithering* selectable in the software you can realize prints with high quality shades.

The simple, intuitive **touch Screen** control console can manage up to two **print heads** at the same time.

#### **User friendly interface.**

The colour 12" display and the touch screen together with the **IconTouch** interface makes it easy to setup and operate.

#### **Coding and marking of products and packaging.**

The software allows to code products with a wide range of variable fields.



#### **High resolution printing.**

With a vertical print resolution of 180 dpi, **G-128** realizes very high quality prints.

#### **Five models:**

- ◆ **G-128 RF** with recirculation, flushing and ink recovery **for pigmented solvent ink.**
- ◆ **G-128 F** with flushing and ink recovery **for solvent-based inks.**
- ◆ **G-128** with ink recovery **for oil based inks.**
- ◆ **G-128UV** with ink recovery **for UV inks.**
- ◆ **G-128UV R** with recirculation and ink recovery **for pigmented UV inks.**

#### **Print samples**



**GENCODE** s.r.l.

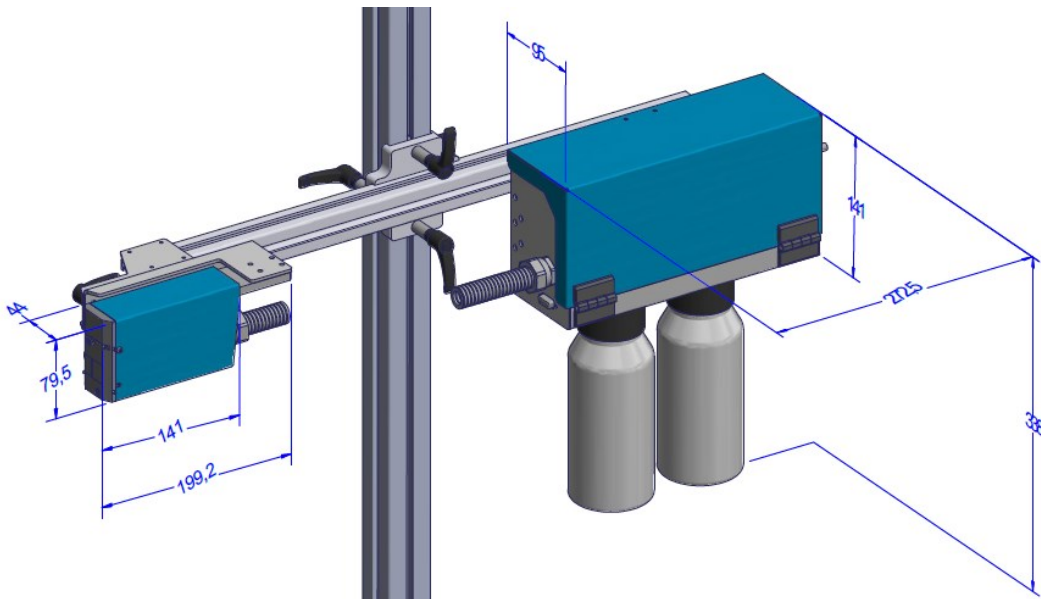
Via Enzo Rabitti n.1/A – 42123 Fogliano (RE) – Italia - [www.gencode.it](http://www.gencode.it) – Tel +39-0522-520108

**APPLICATIONS**

- High-resolution printing of text, graphic, barcode.
- Wide customization of primary and secondary packaging.
- Primary packaging print by using UV and solvent inks. Ideal for pipes and extrusion profiles.
- Ideal where a low maintenance is required.

**TECHNICAL SPECIFICATIONS**

- Supply voltage: 90-264 Vac 50-60 Hz.
- Operating temperature: 0-50 °C
- Print technology: piezo ink jet.
- Vertical print resolution: 180 dpi.
- Print height: 17.4 mm.
- Print length: 5000 columns equal to about 700 mm @ 180 dpi, 1400 mm at 90 dpi.
- Ink type: MOF (Mineral Oil Free), UV, solvent.
- Max printing speed: up to 35 m/min @180 dpi.
- Operator's interface: 12" display with touch screen and **IconTouch**.
- Windows XP embedded or Windows 7 embedded operating systems.
- Barcodes supported: EAN 13, EAN 128 (A, B, C), CODE 39, UPC-A, CODE 128 (A, B, C), ITF (Interleaved 2/5), ITF 14 and **2D barcodes** (PDF417, MaxiCode, Data Matrix, QR Code).
- 200 hypertexts for each message file.
- Any font installed in the operating system and accepted by the software can be printed.
- Integrated software to manage complex images.
- Standard interfaces: Ethernet, USB, PS/2, VGA, RS232, RS485.
- Other interfaces: BCD (Binary Coded Decimal), two-signal encoder, scales, scanners.
- Spring loaded adapter to maintain a constant distance from the printing material.
- Ink system (**SINK**) to control automatically the ink supply to the print head and the purging operations.

**PRINTHEAD DIMENSIONS****ACCESSORIES AND CONSUMABLES**

- Brackets, floor stand, console stand.
- Encoder, photocell.
- Inks and solvents, filters and lint-free wipes.
- UV LED lamp.