

HIGH RESOLUTION COLOUR PRINTER

- **PIEZO INKJET TECHNOLOGY**
- **RESOLUTION: 180 dpi**
- **NUMBER OF DOTS: 508**
- **PRINT HEIGHT: 71 mm**
- **PRINT SPEED: UP TO 90 m/min**

QUAD-508 is an inkjet piezo printer to print high resolution **colour** images, logos, texts and barcodes.

With a superior number of interfaces it can be easily integrated in any production line.

Based on **4 print heads** with the basic colours: cyan, magenta, yellow, black (CMYK).

Gray Scale technology generates ink drops from 12 to 72 pl size. Virtually any colour shade can be achieved by combining these drops.

User friendly interface.

The colour 12" display and the touch screen together with the **IconTouch** interface makes it easy to setup and operate.

High resolution printing.

With print resolution of 180 dpi for each of the 4 print heads, QUAD-508 realises very high quality prints.

Wide packaging customization.

Colour printing creates any kind of logo, highlights areas, prints hazard and danger signs, customizes and makes pleasant any packing material.



GENCODE s.r.l.

Via Enzo Rabitti n.3 – 42123 Fogliano (RE) – Italy - www.gencode.it – Tel +39-0522-520108

HIGH RESOLUTION COLOUR PRINTER

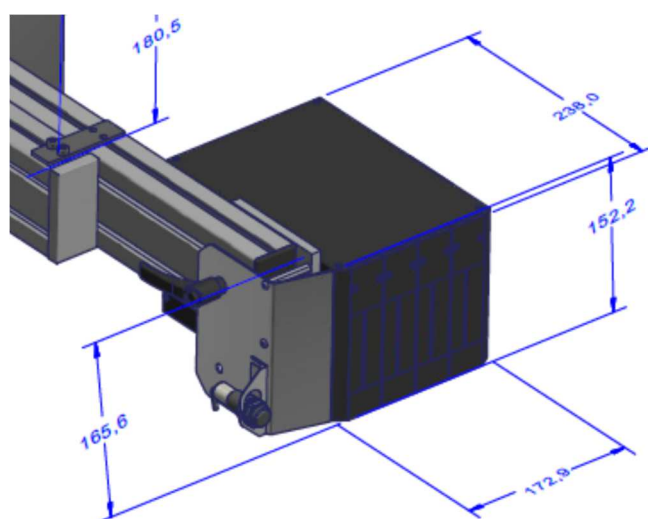
APPLICATIONS

- High-resolution COLOUR printing of text, graphic, barcode.
- Wide customization of secondary packaging.
- UV inks to print on primary packaging.
- Ideal where a colour print is required to highlight and identify the packaging.

TECHNICAL SPECIFICATIONS

- Supply voltage: 90-264 Vac 50-60 Hz.
- Operating temperature: 0°-50°.
- Print technology: piezo ink jet.
- Vertical print resolution: 180 dpi for each of the 4 print heads.
- Print height: 71.54 mm (about 3 inches).
- Print length: 5000 columns equal to about 700 mm @ 180 dpi.
- Ink type: MOF (Mineral Oil Free), UV.
- Max printing speed: 90m/min.
- Operator's interface: 12" display with touch screen.
- Windows XP embedded operating system.
- Barcodes supported: EAN 13, EAN 128 (A, B, C), CODE 39, UPC-A, CODE 128 (A, B, C), ITF (Interleaved 2/5), ITF 14 and **2D barcode** (PDF417, MaxiCode, Data Matrix, QR Code).
- 200 hypertexts.
- Any font installed in the operating system and accepted by the software.
- Integrated software to manage colour images.
- Standard interfaces: Ethernet, USB, PS/2, VGA, RS232, RS485.
- Spring loaded adapter to maintain a constant distance from the printing material.

PRINT HEAD DIMENSIONS



ACCESSORIES AND CONSUMABLES

- Brackets, floor stand, console stand.
- Encoder.
- Inks and solvents.
- UV LED lamp.