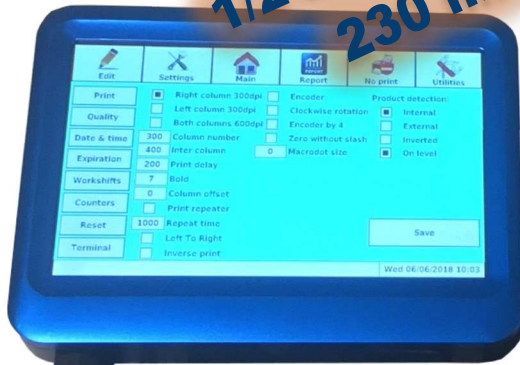


THERMAL INK JET PRINTER



New cartridge
1/2 and 1 inch height
230 ml of ink



- **THERMAL INKJET TECHNOLOGY**
- **RESOLUTION: 600 dpi**
- **NUMBER OF DOTS: 300**
- **PRINT SPEED: UP TO 60 m/min**

Gcode-230 is a Thermal Ink Jet (TIJ) printer suitable for a wide range of applications where date, price, batch, logos, barcode are needed.

With a superior number of interfaces it can be easily integrated in any production line.

The built-in product sensor makes it immediately ready to operate.

The smart card automatically set the ideal printing parameters.

Virtually maintenance free.

Cartridge-based technology makes the TIJ virtually maintenance and failure-free.

With TIJ you only need to replace the ink cartridge with a new one to get the printer running again, a procedure that takes less than a minute.

User friendly interface.

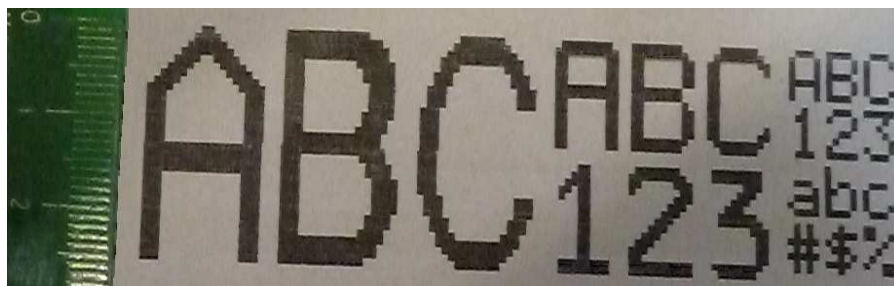
The color display and the touch screen together with the *IconTouch* interface makes it easy to setup and operate.

Highly cost-effective.

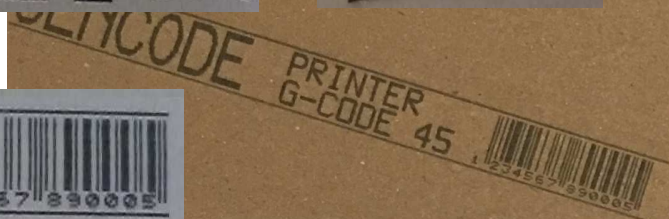
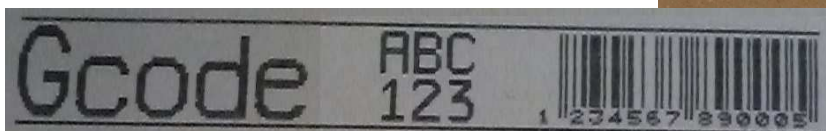
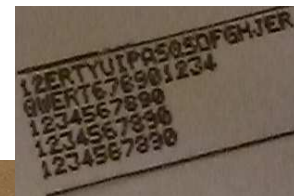
Cartridge-based technology makes TIJ one of our most cost-effective printers. The only thing you need to buy are new cartridges.

High resolution print.

With print resolution up to 600dpi, TIJ realises high quality prints.



Print samples



GENCODE s.r.l.

Via Enzo Rabitti n.1/A – 42123 Fogliano (RE) – Italia - www.gencode.it – Tel +39-0522-520108

Gcode-230



THERMAL INK JET PRINTER

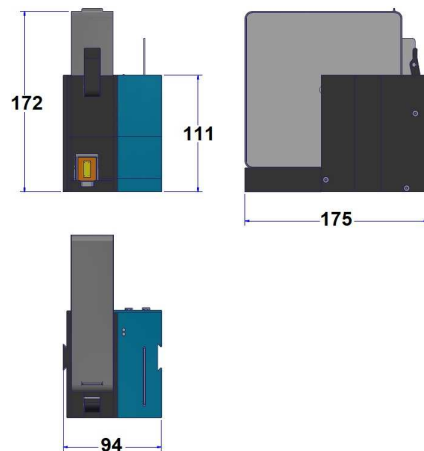
APPLICATIONS

- High-resolution printing of text, graphic, barcode.
- Pharmaceutical and cosmetic industries.
- Ideal for seasonal businesses where long shutdowns are typical.
- Ideal where simplicity and compact size is required.

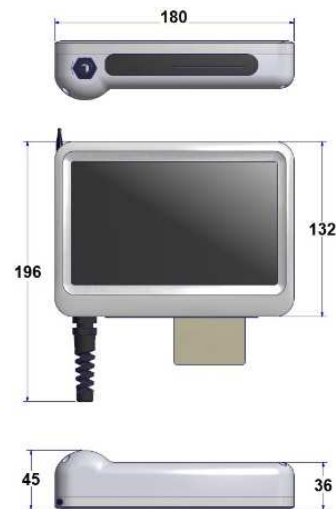
TECHNICAL SPECIFICATIONS

- Power consumption: 0.1 A @ 15V
- Power consumption with terminal: 0.3 A @ 15V
- Supply voltage: 90-264 Vac 50-60 Hz
- Operating temperature: 0°-50°
- Terminal degree of protection: IP 64
- Print technology: thermal ink jet
- Print resolution: 600 dpi
- Print height: **12,7 mm (1/2 inch) and 25.4 mm (1 inch)**
- Print length: max 762 mm (30 inches)
- Ink type: water based, pigmented, solvent based
- Ink cartridge type: G 230
- Ink content: about 230 ml
- Ink consumption and printhead parameters: supported by smart card. Automatic setting of the printer increases the life of the print cartridge and guarantees the print quality
- Max printing speed: 60m/min
- Maintenance free: no parts are subject to wear as pumps, filters, valves
- No need of initial setup procedure (supported by smart card)
- Clean: quick cartridge replacement
- Operator's interface: 7" display with touch screen
- Barcode supported: EAN13, Code 39, UPC, ITF
- 200 messages
- Various font matrix: 5x5, 7x5, 9x7, 15x10, 16x10, 32x18

DIMEN-



SIONS



ACCESSORIES AND CONSUMABLES